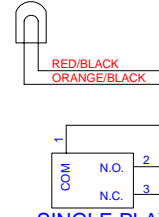
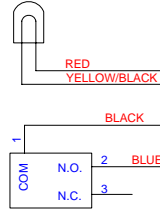


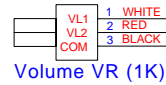
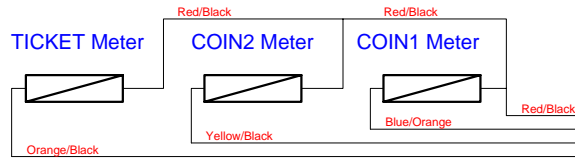
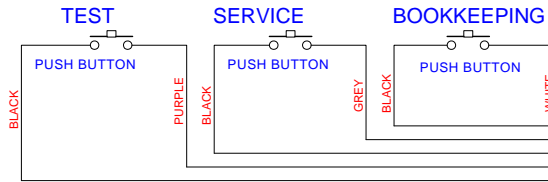
LINKING PLAYS SW LAMP

SINGLE PLAYS SW LAMP



LINKING PLAYS SW

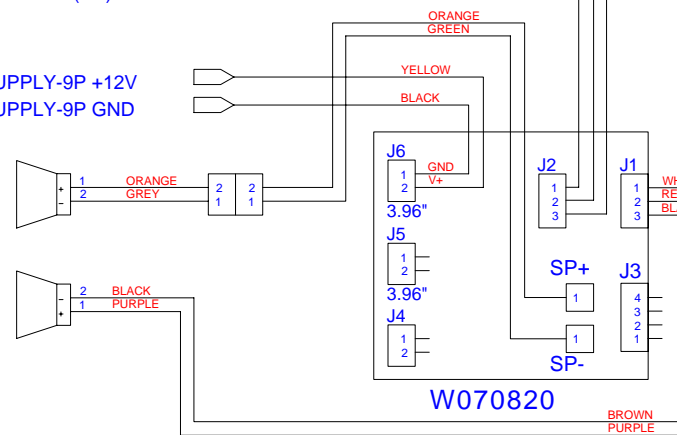
SINGLE PLAYS SW



FROM POWER SUPPLY-9P +12V  
FROM POWER SUPPLY-9P GND

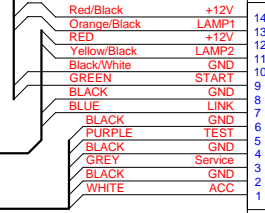
Speaker2

Speaker1



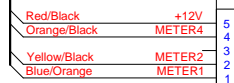
W070820

BROWN  
PURPLE



J13  
IO interface-button & button lamp

MAIN BOARD  
W070206V1



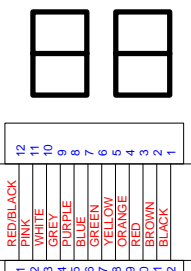
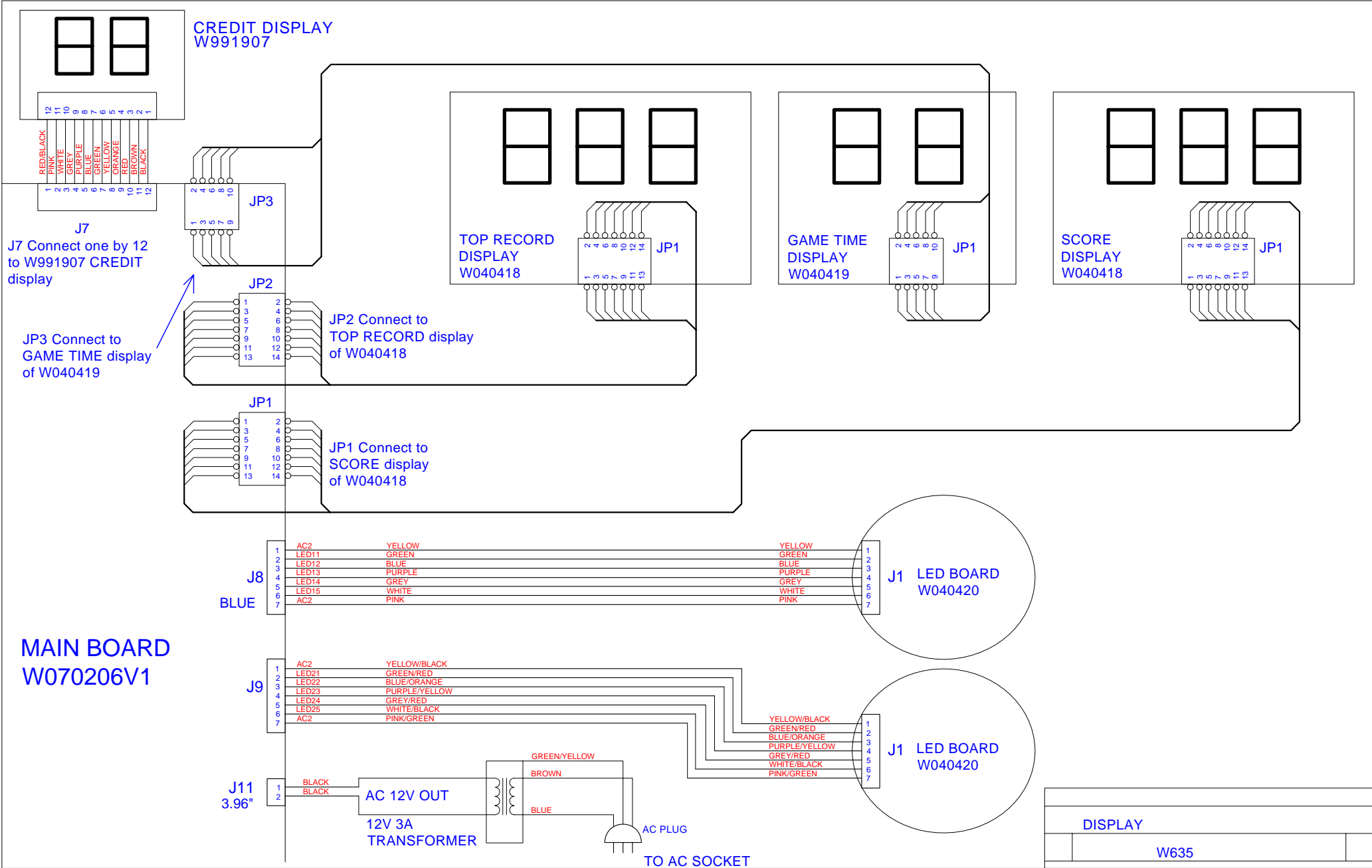
J4  
COUNTER METER PIN

J2

VR

SP

COUNTER SEAT & CONSOLE  
W635



CREDIT DISPLAY  
W991907

J7  
J7 Connect one by 12  
to W991907 CREDIT  
display

JP3 Connect to  
GAME TIME display  
of W040419

JP2 Connect to  
TOP RECORD display  
of W040418

JP1 Connect to  
SCORE display  
of W040418

TOP RECORD  
DISPLAY  
W040418

GAME TIME  
DISPLAY  
W040419

SCORE  
DISPLAY  
W040418

MAIN BOARD  
W070206V1

J8  
BLUE

J9

J11  
3.96"

J1 LED BOARD  
W040420

J1 LED BOARD  
W040420

AC 12V OUT  
12V 3A  
TRANSFORMER

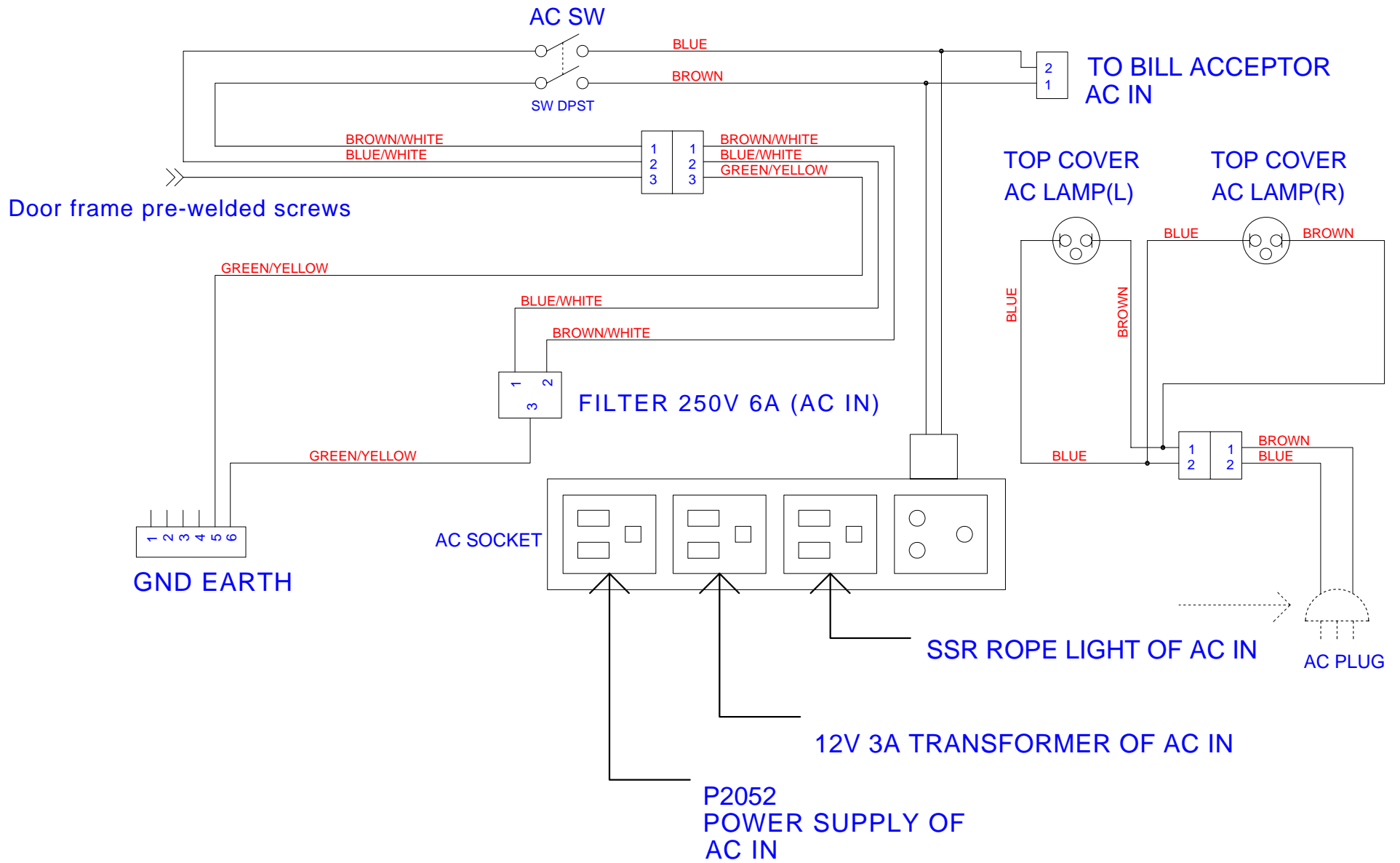
AC PLUG

TO AC SOCKET

DISPLAY

W635





AC	
W635	