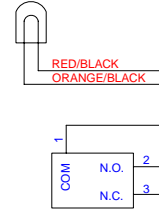
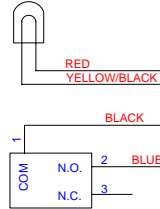


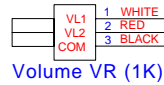
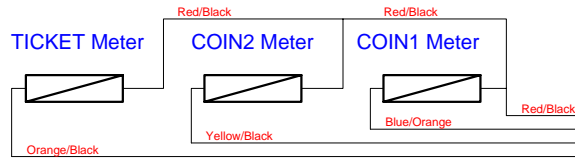
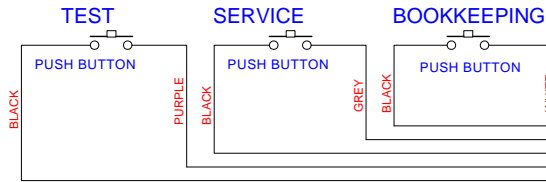
LINKING PLAYS SW LAMP

SINGLE PLAYS SW LAMP



LINKING PLAYS SW

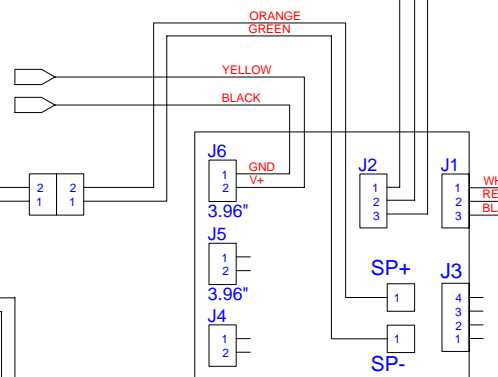
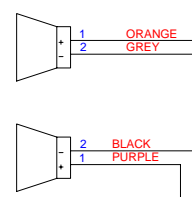
SINGLE PLAYS SW



FROM POWER SUPPLY-9P +12V
FROM POWER SUPPLY-9P GND

Speaker2

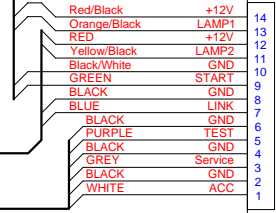
Speaker1



W070820

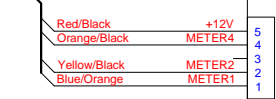


BROWN
PURPLE



J13
IO interface-button & button lamp

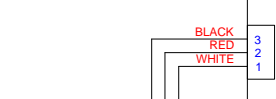
MAIN BOARD
W070206V1



J4
COUNTER METER PIN



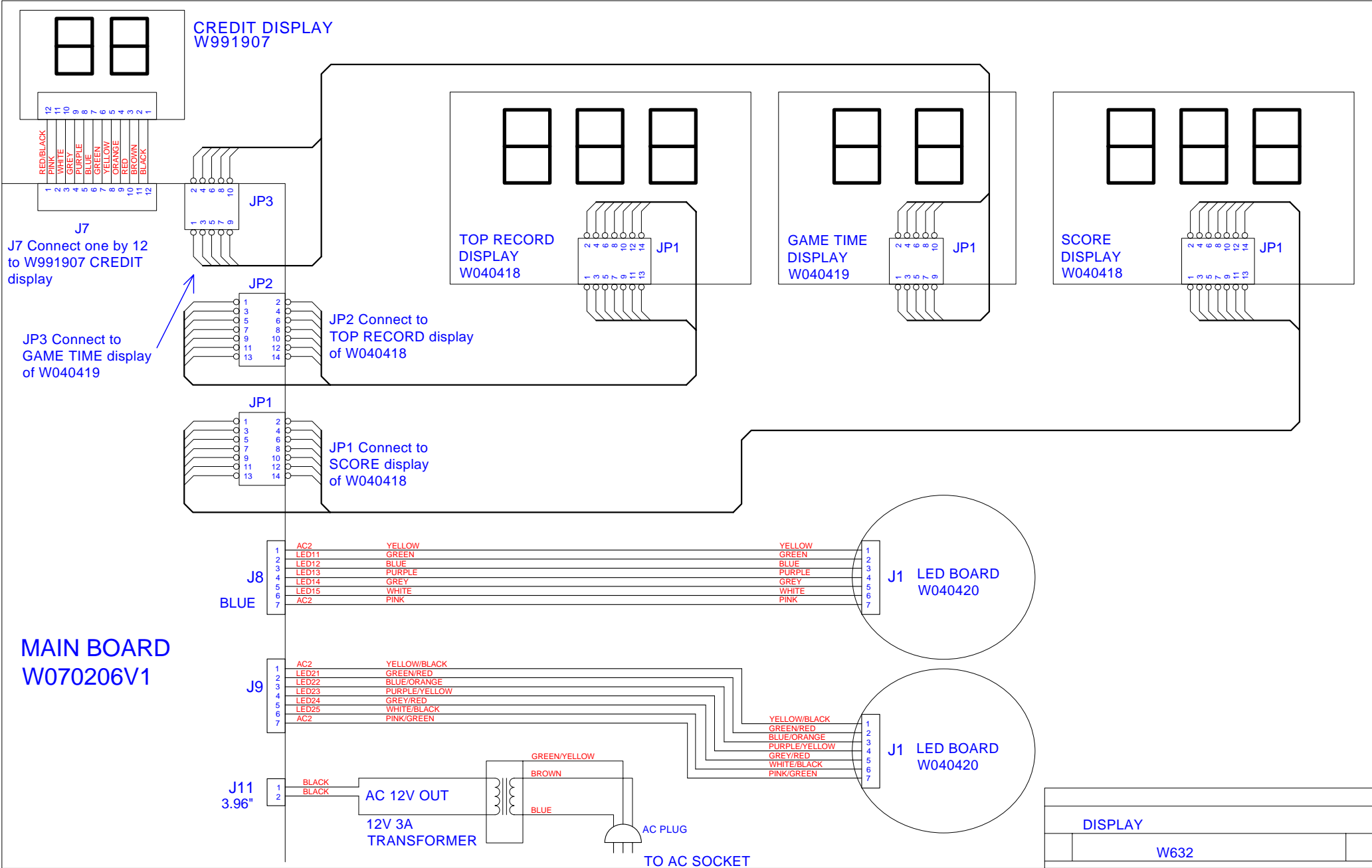
J2
VR
VOLUME VR

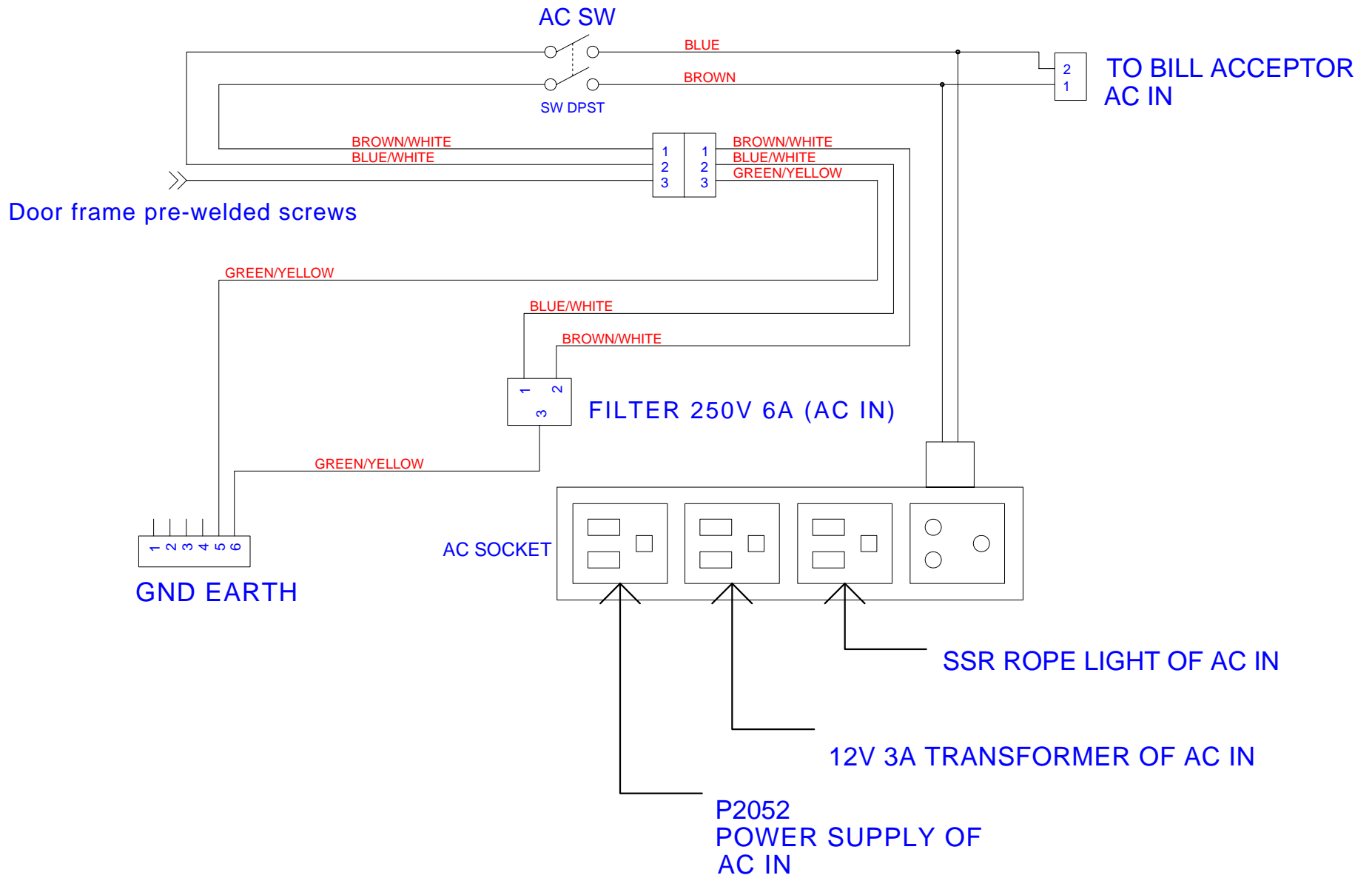


SP
SPEAKER output



COUNTER SEAT & CONSOLE
W632





AC	
W632	